

Description :

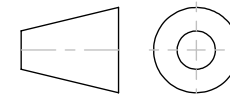
Code : AL5304

Scale : 1:2

SHEET 1 OF 1

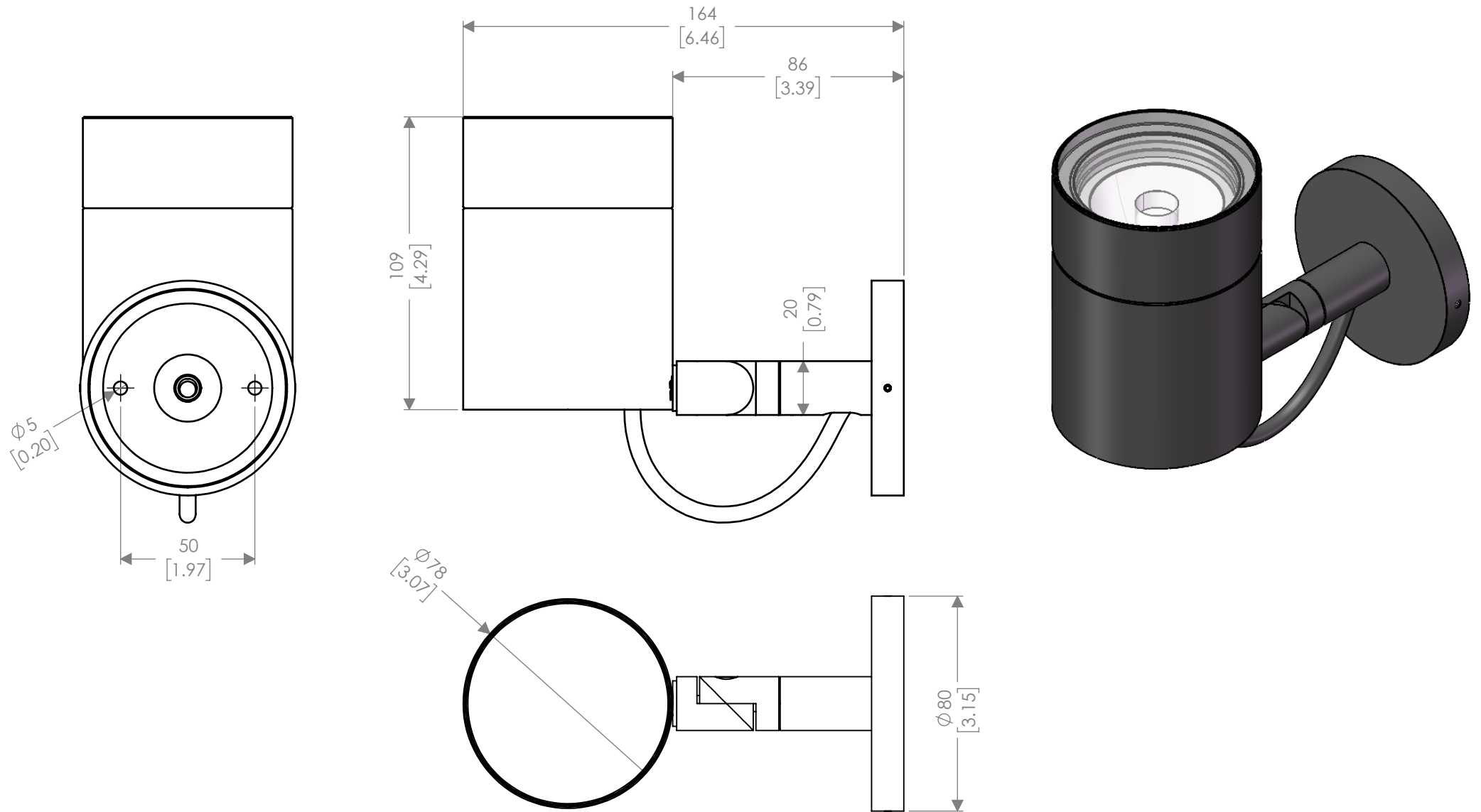
Revision : 02

DIMENSIONS ARE IN MILLIMETERS [BRACKETED DIMENSIONS ARE IN INCHES]



GRIVEN 

<http://www.griven.com>



Description :

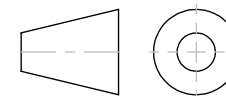
Code : AL5304

Scale : 1:2

SHEET 1 OF 1

Revision : 02

DIMENSIONS ARE IN MILLIMETERS [BRACKETED DIMENSIONS ARE IN INCHES]



GRIVEN 

<http://www.griven.com>